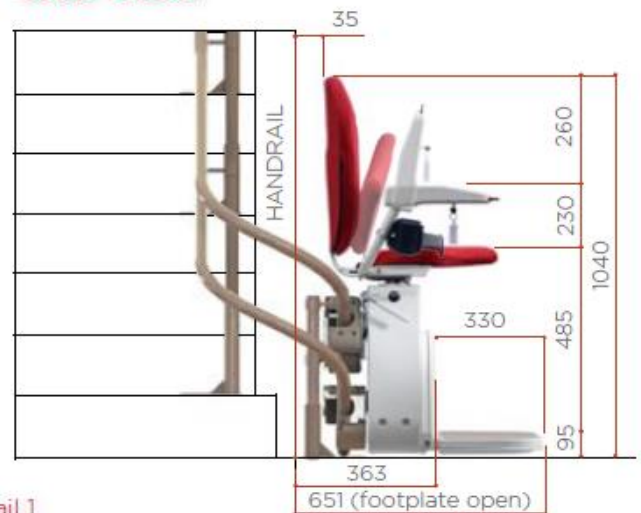




Side VIEW

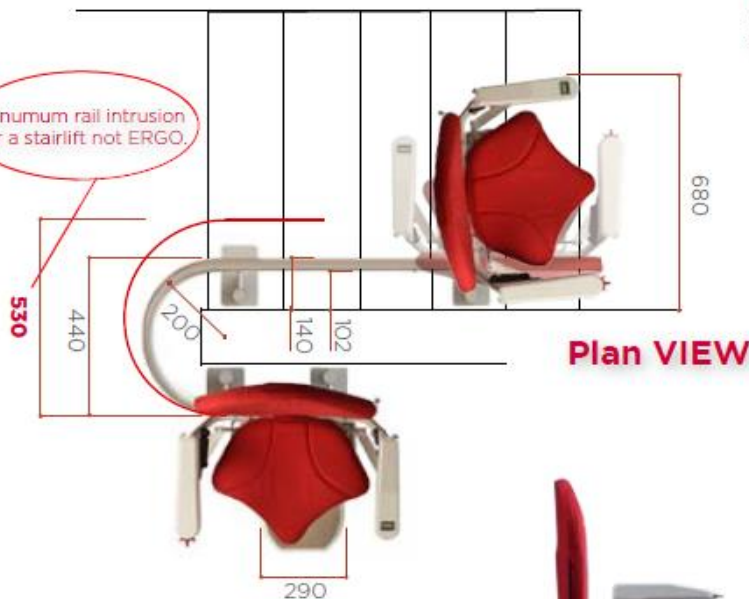


Detail 1
Armrests and seat adjustment.

HD Classic seat available for curves: up to **160 kg**.



Minimum rail intrusion for a stairlift not ERGO.



Power supply	Batteries, 2 x 12 volt, consumption 0,014 kWh
Charging	110 V / 220 V 27 V amp / 1.1 amp
Speed	0,12 m/sec. Electronically adjustable
Wiring	Internal with charging plates at the ends of the rail
Manufacture	2 steel tubular, 38mm diameter and bend radius 200mm
Fixing	Mounting step through telescopic brackets. Wall mounting optional.
Drive type	Rack and pinion with OSG control
Diagnostic	built into armrest, internal memory and operating report
Inclination	0 - 52° max
Motor	Battery supply, 0,26kw
Warranty	24 months
Capacity	120 kg (160 kg available on HD model)

The measurements, in millimeters, are nominal values. May vary depending on the configuration of the stair. The instructions for use are supplied with each system. Platinum and Ergo trademarks and logos are registered.